

AIRSLIDE® RAILCAR BREATHER/FILTER

APPLICATION:

The FLSmidth Airslide Car Breather/Filter is specifically designed for use on the GATX Airslide Car when highly sanitary or contamination free conditions are desirable during loading and unloading operations.

In pressure service, the car breather permits the venting of fluidizing air during unloading or of conveying air while the car is being loaded. In vacuum service, it serves as air inlet.

SPECIFICATION:

General

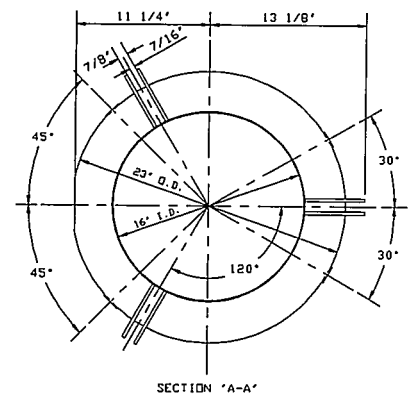
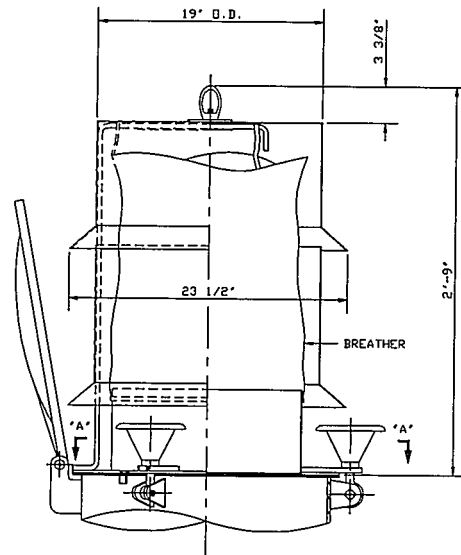
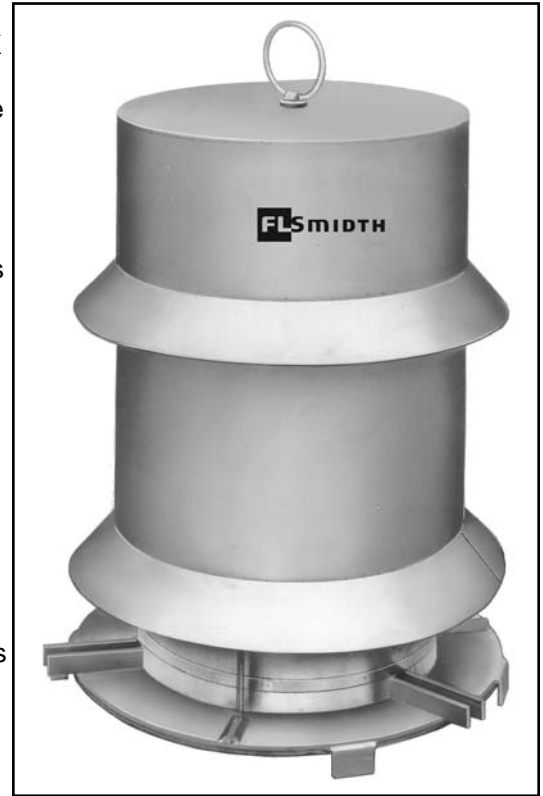
The FLSmidth Airslide Car Breather is constructed of corrosion resistant aluminum and stainless steel for all weather applications.

Mounting

The breather is mounted on one of the open loading hatches the Airslide Car and is fitted with lugs to permit secure clamping in position using the hatch cover bolts.

Filter

The breather uses a replaceable woven Dacron fabric filter element with high permeability and filtering efficiency up to 300 CFM. Larger air volumes will require additional breathers on the car.



APPROX. WEIGHT 25 LBS.

ORDER DATA:

Specify quantity, description and part number.

Description	Part No.	Approx. Wt. (lbs.)
A. Airslide® Railcar Breather/Filter	101-72-3-5002-01	25
B. Replacement Dacron Filter Element	101-55-1-1689-01	3